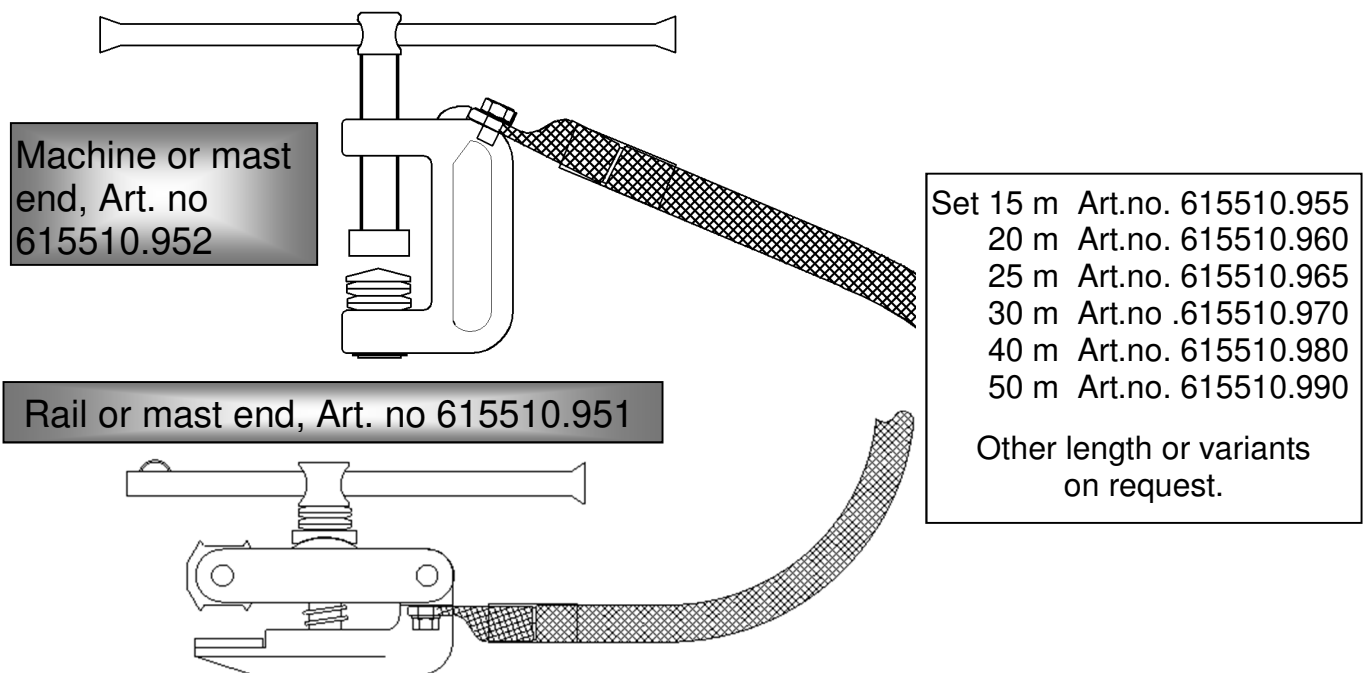


## Grounding set for construction equipment

As soon as excavators or other construction machines work near catenaries (closer than 5 metres), they must be grounded by the rail or by a mast.

This is done most easily with the high-current proof KAGO Grounding set for construction equipment which consists of the following components:

- Special clamp (machine or mast end)
- Special clamp (rail or mast end)
- High flexible transparent grounding cable 50mm<sup>2</sup>, length to suit
- Cable ends reinforced and sealed with shrinking tubes



Alternative with  
SBB mast clamp M10,  
with blue marking 615510.102



We also repair  
your existing sets!