

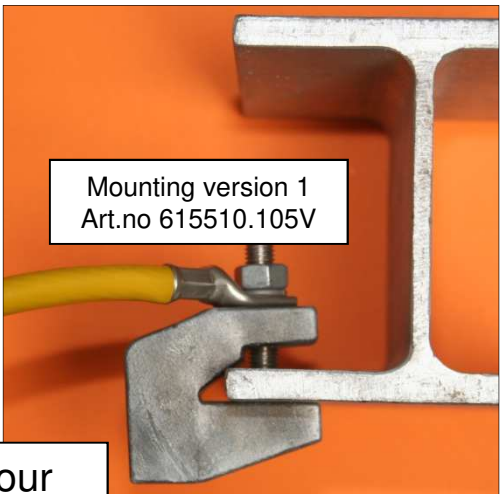
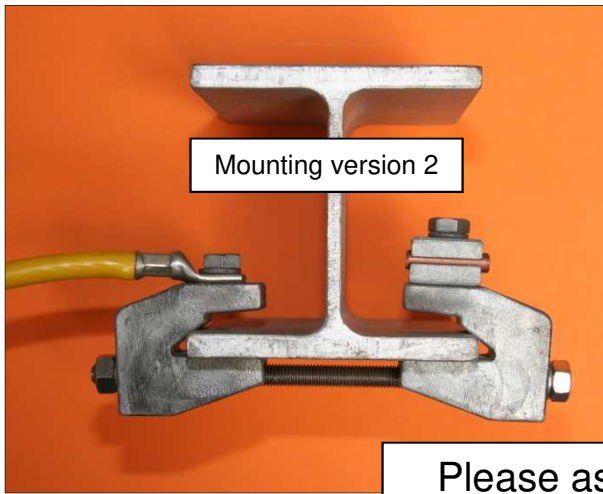
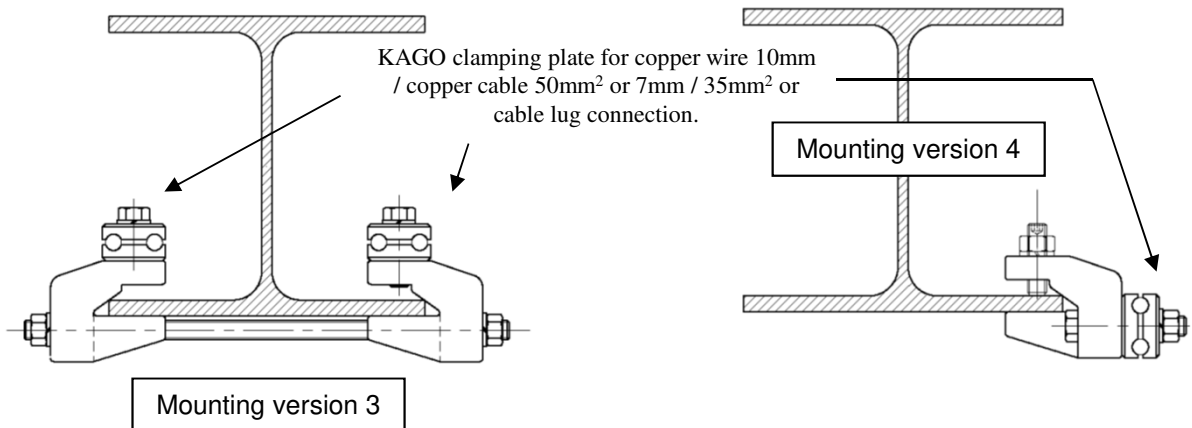
KAGO mast clamps

Ideal for quick groundings at metal supports etc.

Time and money saving, because you can leave both your welding and drilling machines at home!

Tested
Short-circuit
strength:
40 kA

Examples of use: Grounding of construction equipment, machines, fences, railings, scaffolds, platforms etc. (Art. 34.B, Article No. 615510.105); Fixing of temperature sensors (Art. 34.C, Article No. 615510.106).



Please ask for our mounting instructions!

Mounting instructions for KAGO mast clamps

Please pay attention to the following:

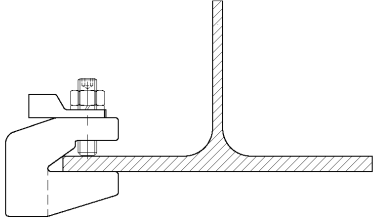
1. A cleaning of the component you want to earth is necessary to guarantee a good electrical contact!
2. The screws must be tightened with a torque wrench to 70 Newtonmeter!
3. When used for electrical connections, KAGO mast clamps should not be mounted to rails. Please use the well-tried and reliable KAGO rail contact clamps for this purpose!

4. Maximum profiles:

HEA	HEB	HEM	IPE	UAP
400	300	100	600	300
Thickness max. 20 mm				

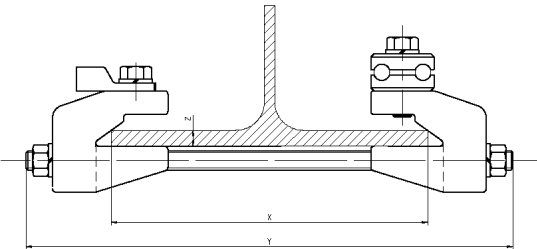
5. Mounting versions:

Version 1



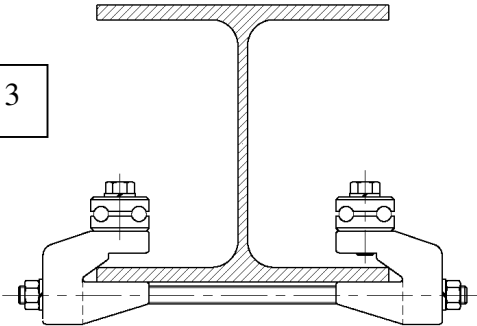
Single mast clamp with cable lug connection

Version 2



2 mast clamps with anchor rod, cable lug and clamping plate
Definition of anchor rod length Y:
 - Thickness Z < 12 mm: Y = X + 110 mm
 - Thickness Z 12-20 mm: Y = X + 125 mm

Version 3



2 mast clamps with anchor rod and 2 clamping plate connections for copper wire 10mm / copper cable 50mm² or 7mm / 35mm²

Version 4

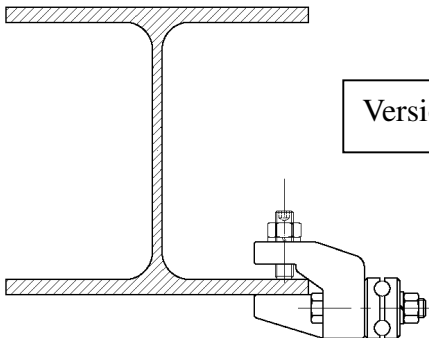


plate connection for copper wire 10mm / copper cable 50mm² or 7mm / 35mm²